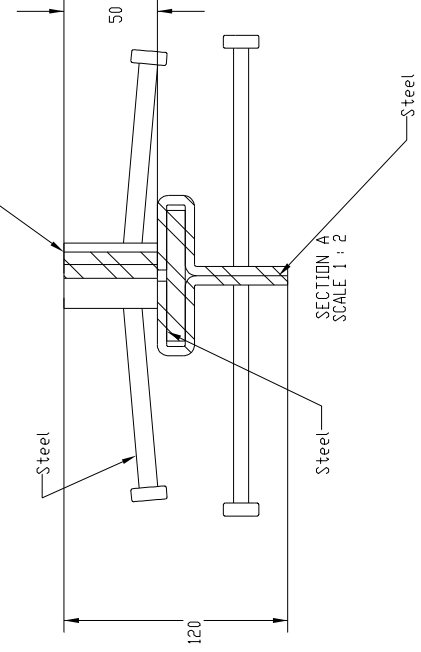


Steel, electro-galvanised steel
or stainless steel



Available materials:
Steel
Electrogalvanised steel
Stainless steel

PROPRIETARY AND CONFIDENTIAL
THE INFORMATION CONTAINED IN THIS
DRAWING IS THE PROPERTY OF HENGELHOEF
CONCRETE JOINTS. ANY REPRODUCTION IN PART OR
WHOLE WITHOUT THE WRITTEN PERMISSION
OF H.C.J. IS PROHIBITED.



Hengelhofstraat 158
3612 CA Dordrecht
Tel. 0032 89 32 39 82
Fax. 0032 89 32 39 88
www.hc.joints.eu
e-mail info@hc.joints.be

TITLE:
height 120 mm

WEIGHT/PC
65,33 kg

Hcj reserves the right to alter
the products without notice

SIZE	C	DWG. NO.	HC-Delta SINUS SLIDE B	REV	B
ALL DIMENSIONS ARE IN MM				SHEET 1 OF 1	
DO NOT SCALE DRAWING				SCALE: 2:1	