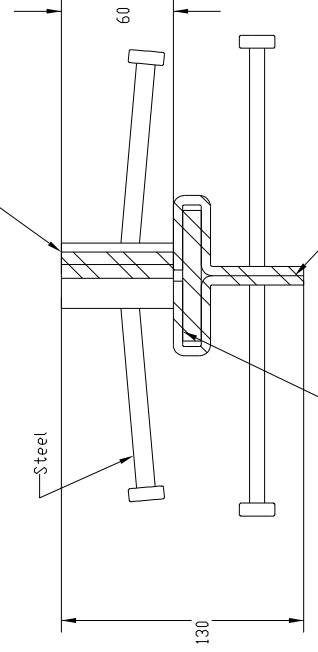


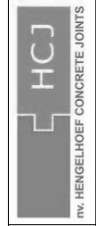
Steel, electro-galvanised steel  
or stainless steel



SECTION A  
SCALE 1 : 2

Available materials:  
Steel  
Electrogalvanised steel  
Stainless steel

PROPRIETARY AND CONFIDENTIAL  
THE INFORMATION CONTAINED IN THIS  
DRAWING IS THE PROPERTY OF HENGELHOEF  
CONCRETE JOINTS AND SHALL BE KEPT  
SECRET AND NOT REPRODUCED IN PART OR  
WHOLE WITHOUT THE WRITTEN PERMISSION  
OF H.C.J.



Hengelhoefstraat 158  
3612 CA Groot-Engevoort  
Tel. 0032 89 32 39 82  
Fax. 0032 89 32 39 88  
www.hcjdjts.eu  
e-mail info@hcjdjts.be

TITLE: height 130mm  
WEIGHT/PC 6818 Kg

SIZE	C	DWG. NO.	HC-Delta SINUS SLIDE B	REV	B
ALL DIMENSIONS ARE IN MM				SCALE:	2:1
Hcj reserves the right to alter the products without notice				SHEET	1 OF 1