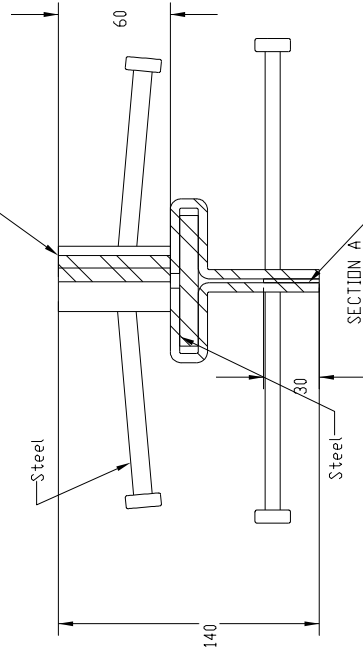


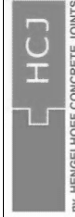
Steel, electro-galvanised steel
or stainless steel



SECTION A
SCALE 1:2

Available materials:
Steel
Electro-galvanised steel
Stainless steel

PROPRIETARY AND CONFIDENTIAL
THE INFORMATION CONTAINED IN THIS
DRAWING IS UNCLASSIFIED
AND REPRODUCTION IN PART OR
WHOLE IS PROHIBITED WITHOUT PERMISSION
OF H.C.J.



Hengelhofstraat 158
3611 CA Dordrecht
Tel. 0032 89 32 39 82
Fax. 0032 89 32 39 88
www.hcjdirts.eu
e-mail info@hcjoints.be

TITLE:

height 140 mm

WEIGHT/PC
71,9 kg

Hcj reserves the right to alter
the products without notice

SIZE C
DWG. NL
HC-Delta SINUS SLIDE B

REV B
SHEET 1 OF 1

SCALE: 2:1

ALL DIMENSIONS ARE IN MM

DO NOT SCALE DRAWING