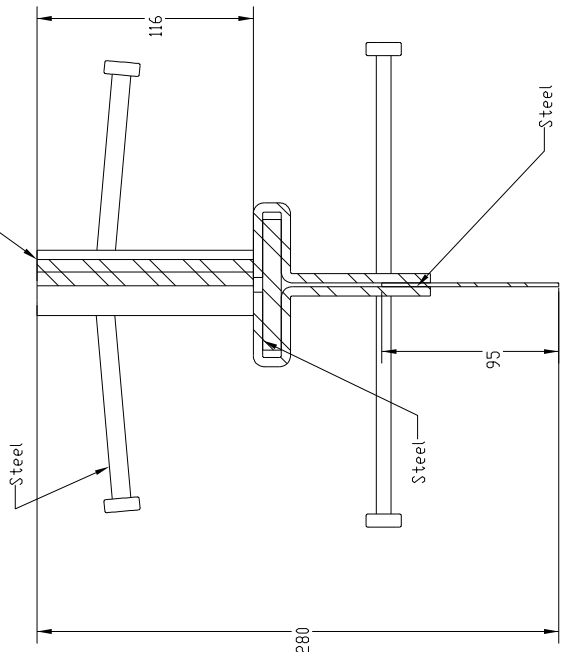
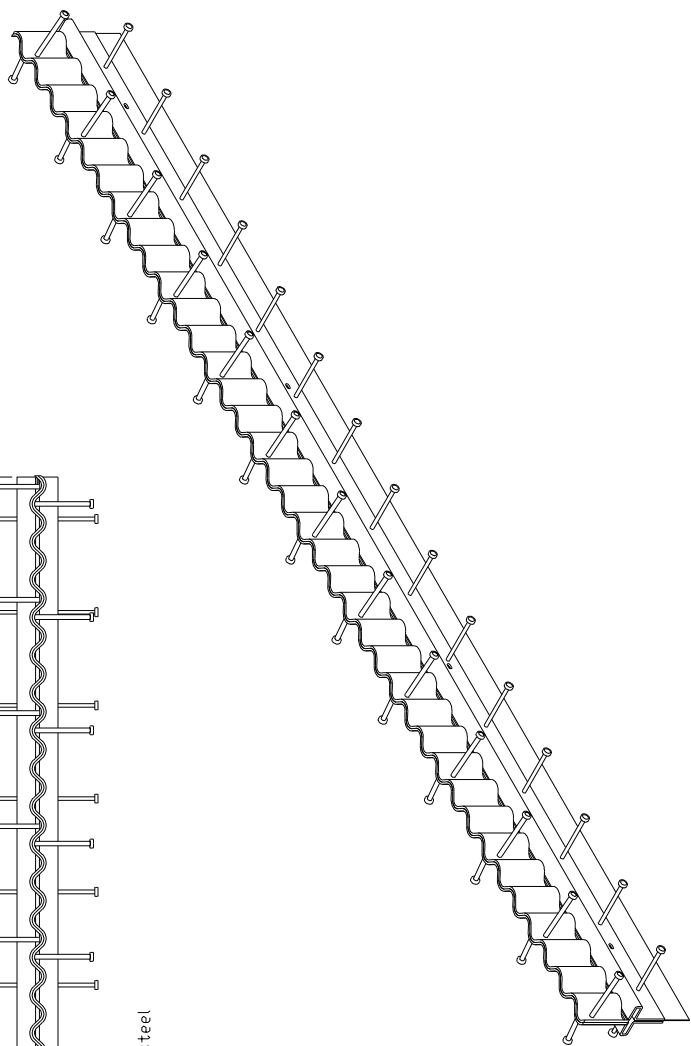



Steel, electro-galvanised steel
or stainless steel



SECTION A
SCALE 1 : 2



PROPRIETARY AND CONFIDENTIAL THE INFORMATION CONTAINED IN THIS DRAWING IS THE PROPERTY OF HENGELHOEF CONCRETE JOINTS AND IS NOT TO BE REPRODUCED OR TRANSMITTED IN ANY FORM OR BY ANY MEANS, ELECTRONIC OR MECHANICAL, FOR ANY PURPOSES WITHOUT THE WRITTEN PERMISSION OF HENGELHOEF CONCRETE JOINTS.			Hengelhoefstraat 158 3612 CA Breda Tel. 0032 89 32 39 82 Fax. 0032 89 32 39 88 www.hcjdjoints.eu info@hcjdjoints.be	
	TITLE: height 280 mm	WEIGHT/KG 9468	SIZE C	DWG. NO. HC-Delta SINUS SLIDE B
Available materials: Steel Electro-galvanised steel Stainless steel		Hcj reserves the right to alter the products without notice		
ALL DIMENSIONS ARE IN MM		SCALE: 2:1		SHEET 1 OF 1