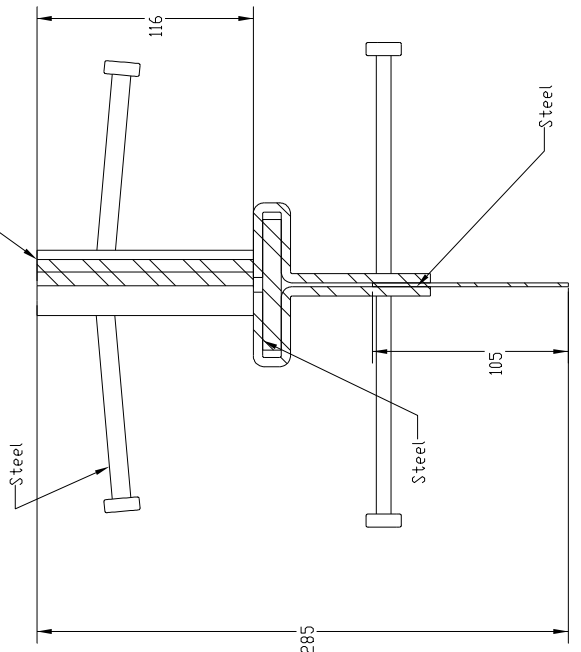
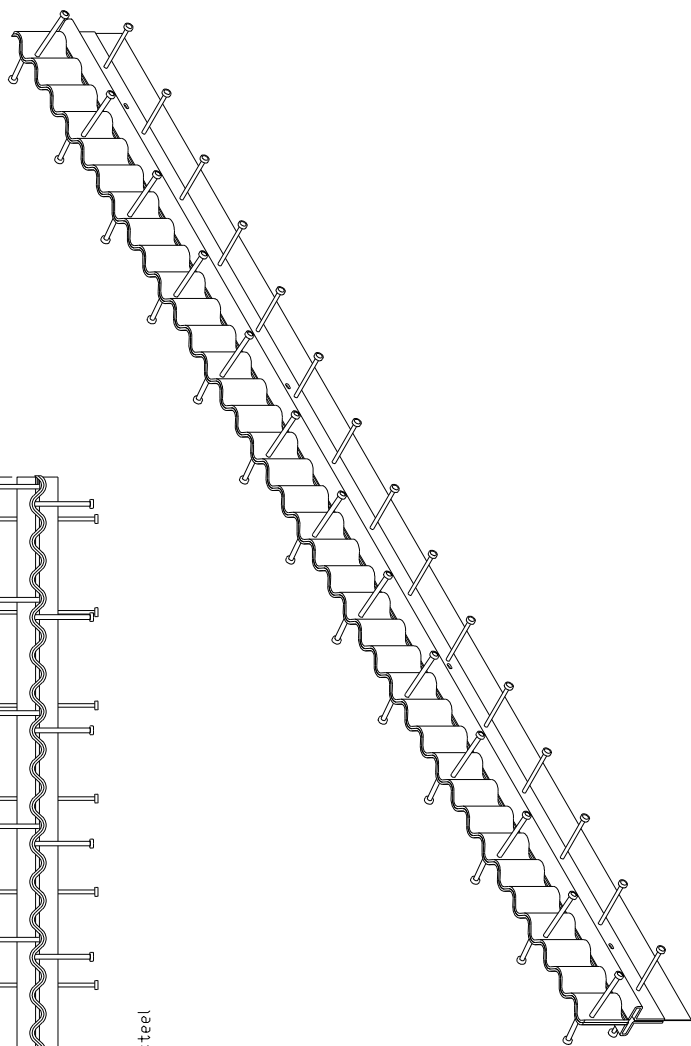



Steel, electro-galvanised steel  
or stainless steel



SECTION A  
SCALE 1 : 2



PROPRIETARY AND CONFIDENTIAL THE INFORMATION CONTAINED IN THIS DRAWING IS THE SOLE PROPERTY OF HCJ AND REPRODUCTION IN PART OR IN WHOLE WITHOUT THE WRITTEN PERMISSION OF HCJ IS PROHIBITED.	 Hengelhoefstraat 158 3612 CA Breda Tel. 0032 89 32 39 82 Fax. 0032 89 32 39 88 www.hcjdirts.eu info: info@hcjoints.be		Hengelhoefstraat 158 3612 CA Breda Tel. 0032 89 32 39 82 Fax. 0032 89 32 39 88 www.hcjdirts.eu info: info@hcjoints.be
	TITLE: height 300 mm	WEIGHT/PC 95,15 Kg	REV B
Available materials: Steel Electro-galvanised steel Stainless steel	SIZE C	DWG. NO. HC-Delta SINUS SLIDE B	SHEET 1 OF 1
HCj reserves the right to alter the products without notice	ALL DIMENSIONS ARE IN MM	SCALE: 2:1	DO NOT SCALE DRAWING