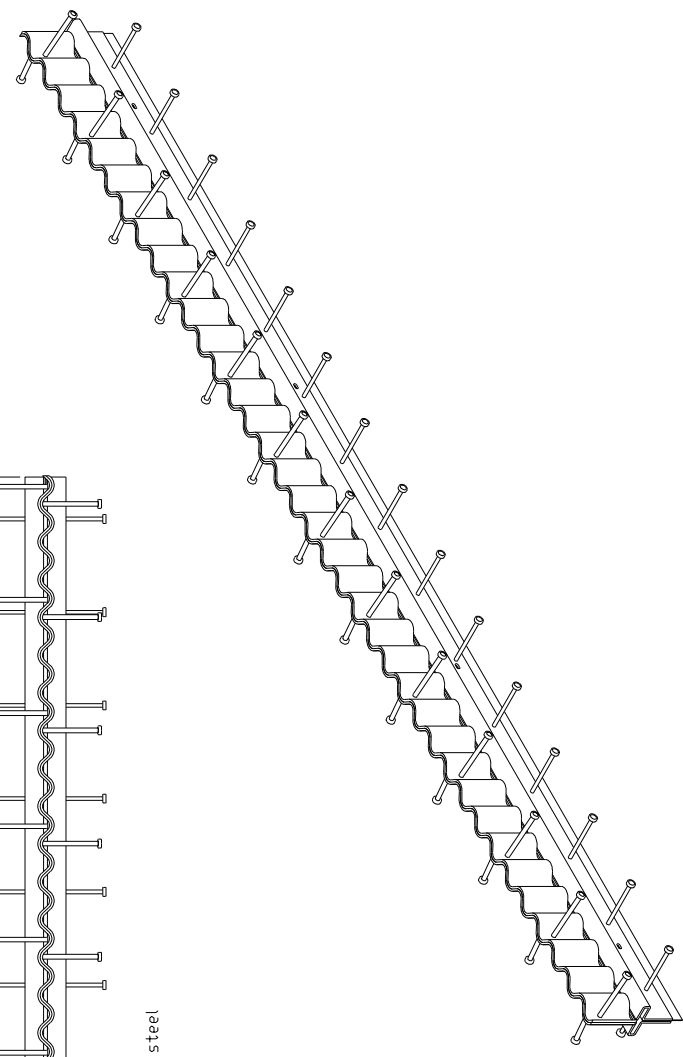
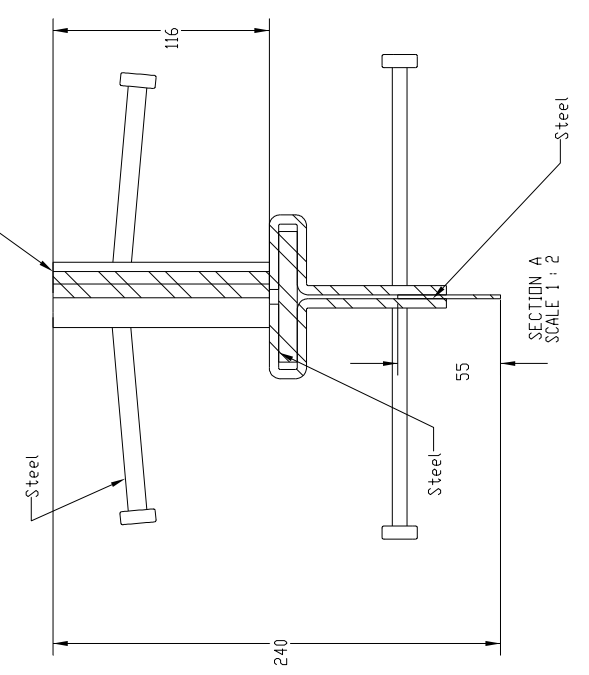



Steel, electro-galvanised steel
or stainless steel



PROPRIETARY AND CONFIDENTIAL THE INFORMATION CONTAINED IN THIS DRAWING IS THE PROPERTY OF Hcj AND ITS REPRODUCTION IN PART OR IN WHOLE WITHOUT THE WRITTEN PERMISSION OF Hcj IS PROHIBITED.	 Hengelhofstr. 158 36109 Bad Nauheim Tel. 0032 89 32 39 82 Fax. 0032 89 32 39 88 www.hcjoints.eu E-mail: info@hcjoints.be		Hengelhofstr. 158 36109 Bad Nauheim Tel. 0032 89 32 39 82 Fax. 0032 89 32 39 88 www.hcjoints.eu E-mail: info@hcjoints.be	
	TITLE: height 240 mm		WEIGHT/Kg 92,79	
Available materials: Steel Electro-galvanised steel Stainless steel	SIZE C	DWG. NO. HC-Delta SINUS SLIDE B	REV B	SHEET 1 OF 1
Hcj reserves the right to alter the products without notice		ALL DIMENSIONS ARE IN MM DO NOT SCALE DRAWING		SCALE: 2:1