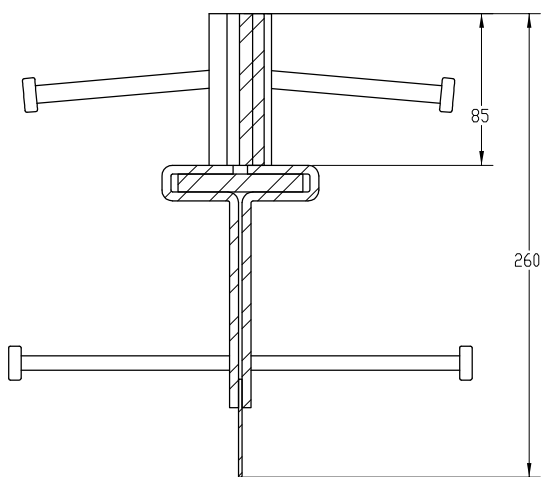
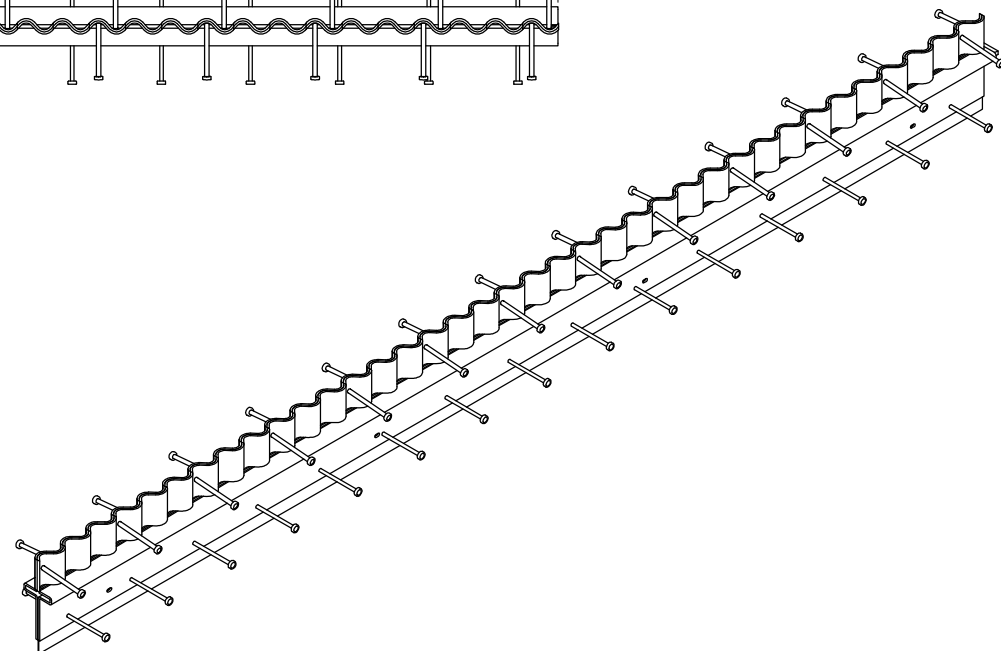
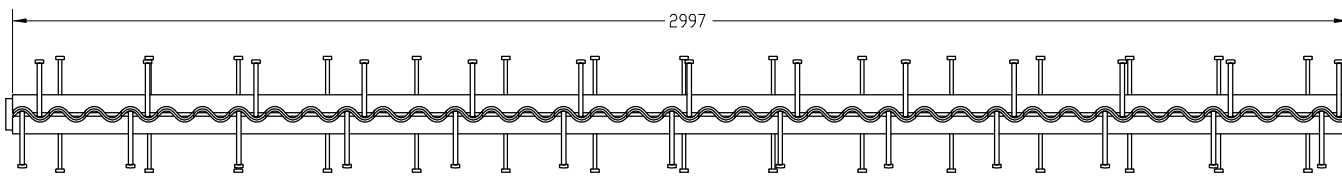
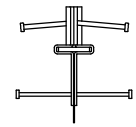
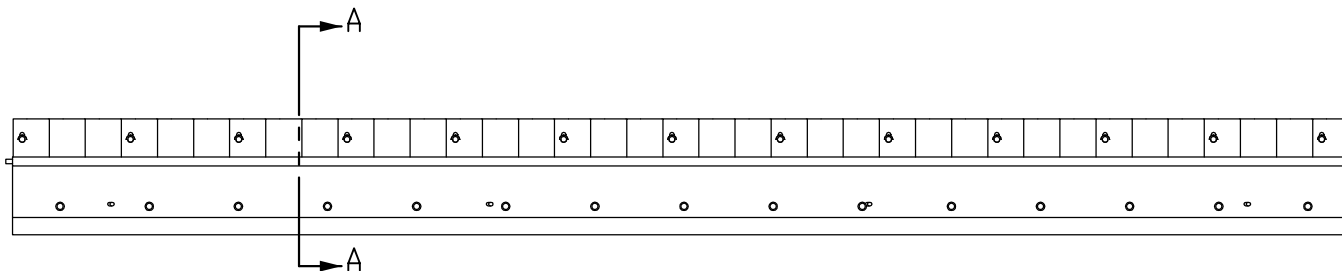


8 7 6 5 4 3 2 1

F  
E  
D  
C  
B  
A

F  
E  
D  
C  
B  
A



SECTION A  
SCALE 1 : 2

Available materials: Steel Electrogalvanised steel Stainless steel	<small>PROPRIETARY AND CONFIDENTIAL</small> <small>THE INFORMATION CONTAINED IN THIS DRAWING IS THE SOLE PROPERTY OF HCJ. ANY REPRODUCTION IN PART OR AS A WHOLE WITHOUT THE WRITTEN PERMISSION OF HCJ IS PROHIBITED.</small>		Hengelhoeftstraat 158 3600 Genk, Belgium Tel. 0032 89 32 39 82 Fax. 0032 89 32 39 88 www.hcjoints.eu e-mail info@hcjoints.be
	TITLE: height 260 mm		WEIGHT/PC 90.72 Kg
Hcj reserves the right to alter the products without notice	SIZE C	DWG. NO. HC-Delta SINUS	REV A
<small>ALL DIMENSIONS ARE IN MM</small>		<small>ISO MET SCALE DRAWING</small>	SCALE: 2:1 SHEET 1 OF 1

8 7 6 5 4 3 2 1